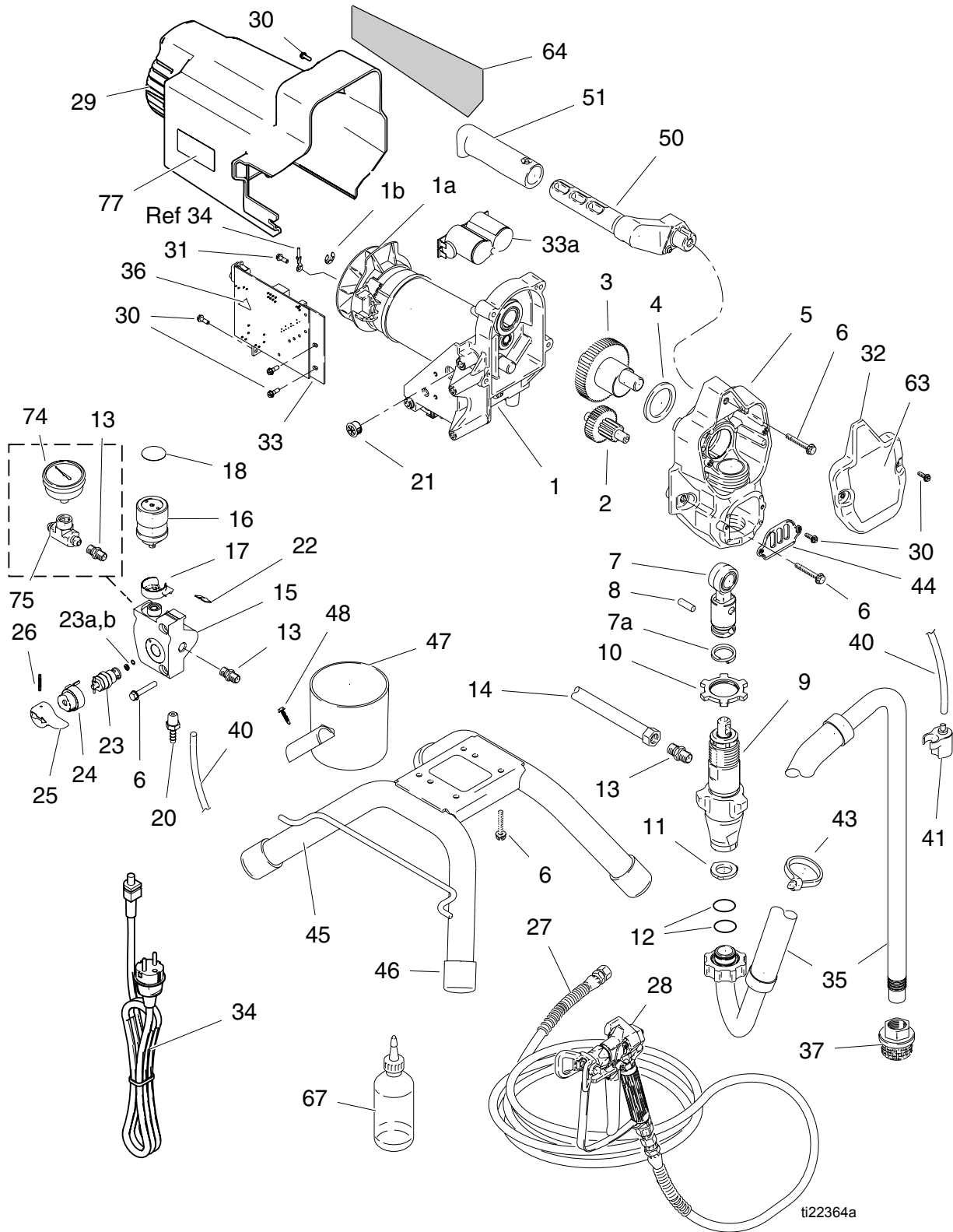


# Parts (24U088, 24U089)



## Parts List (Models 24U088, 24U089)

Ref.	Part	Description	Qty.	Ref.	Part	Description	Qty.
1		MOTOR, electric (includes 1a, 1b)		31	115498	SCREW, mach, slot hex wash hd	1
	249040	Model 24U089, 120V	1	32	15E630	COVER, front	1
	249041	Model 24U088, 230V		33‡		BOARD, control	1
1a	249043	FAN, motor (includes 1b)	1		249052	Model 24U089, 120V	1
1b	119653	RING, retaining	1		16X295	Model 24U088, 230V (includes 33a)	1
2	249194	GEAR, reducer	1	33a	24R905	CAPACITOR BOARD, 230V (Model 24U088)	1
3	287054	GEAR, crankshaft (includes 4)	1	34		CORD, st, CEE	
4	180131	BEARING, thrust	1		253369	Model 24U088, CEE 7/7	1
5	257465	HOUSING, drive (includes 6, 30, 44)	1		253368	Model 24U089, UK	
6	117493	SCREW, mach, hex washer hd	11	35	246386	HOSE, suction set (includes 11, 12, 37)	1
7	287053	ROD, connecting (includes 8)	1	36▲	189930	LABEL, caution	1
7a	196750	SPRING, retaining	1	37	246385	STRAINER, 7/8-14 unf	1
8	196762	PIN, straight	1	40	249051	KIT, tube, drain (includes 20, 41, 43)	1
9	246428	PUMP, displacement (includes 13)	1	41	244035	DEFLECTOR, barbed	1
10	195150	NUT, jam, pump	1	43	114958	STRAP, tie	1
11	115099	WASHER	1	44	15B589	COVER, pump rod	1
12	117559	O-RING	2	45	15E823	FRAME, stand mount	1
13	162453	FITTING, (1/4 npsm x 1/4 npt) Model 24U088	2	46	15G857	CAP, leg	4
		Model 24U089	3	47	287903	CUP, suction/drain	1
14	287003	HOSE, cpld	1	48	122667	SCREW, drill, hex washer head	1
15	15E295	MANIFOLD, control, pressure	1	50	287072	HANDLE (includes 6, 51)	1
16		CONTROL, pressure (includes 17, 18, 21, 22)		51	116139	GRIP, handle	1
	249005	Model 24U089, 120V	1	63	16W820	LABEL, front	1
	248929	Model 24U088, 230V	1	64	16W821	LABEL, side	1
17	15E794	CAP, wire, control, pressure	1	66▲	222385	TAG, warning (not shown)	1
18	15A464	LABEL, control	1	67	206994	FLUID, TSL, 8 oz	1
20	M70809	FITTING, barbed	1	74	115523	GAUGE, pressure, fluid (Model 24U089)	1
21	115756	BUSHING	1	75	119783	FITTING, tee, swivel (Model 24U089)	1
22	119723	TAPE, foam	1	77▲	16G596	LABEL, warning	1
23	235014	VALVE, drain (includes 23a, 23b, 26)	1		249042	KIT, brush, motor, replacement	
23a	277364	GASKET, seat	1			‡ Fuse Replacement	
23b	15E022	SEAT, valve	1		119277	Model 24U089, 120V	
24	224807	BASE, valve	1		119688	Model 24U088, 230V	
25	187625	HANDLE, valve, drain	1			▲ Replacement Danger and Warning labels, tags, and cards are available at no cost.	
26	111600	PIN, grooved	1				
27	240793	HOSE, coupled, 1/4 in. x 25 ft	1				
28	243238	GUN, SG3-E	1				
29	15E341	SHIELD, motor	1				
30	117501	SCREW, mach, slot hex wash hd	9				

# Parts / Peças / Pièces / Piezas - 246428

Ref No.	Part No.	Description	Qty.
201	249125	ROD, displacement, includes 212	1
202	180656	BUTTON, plug	1
203	193047	NUT, packing	1
204*	176757	GLAND, female, throat	1
205*	176754	GLAND, male, throat	1
206	243176	CYLINDER, pump	1
207*	105444	BALL, sst, 0.3125 in.	1
208*	195129	GLAND, male, piston	1
209*	180073	GLAND, female, piston	1
211*	15G234	GUIDE, piston	1
212	239937	VALVE, piston (included with 201)	1
213	15C011	GUIDE, ball	1
215†	246429	KIT, seat, carbide includes 213, 217 and 218	1
216	15B611	VALVE, intake housing	1
217*	15B112	PACKING, o-ring (0.941 in. OD)	1
218*†	105445	BALL, sst, 0.5000 in.	1
219*	108526	O-RING, PTFE	1
220*	117459	O-RING	1
221*	176755	V-PACKING, leather, throat	2
222*	192710	V-PACKING, throat, V-Max™ UHMWPE, blue	3
223*	176749	V-PACKING, leather, piston	2
224*	192712	V-PACKING, piston V-Max™ UHMWPE, blue	3
225	162453	NIPPLE, 1/4 npsm x 1/4 npt	1
226	119789	FITTING, elbow, street, 45°, 1/4 npt	1

\* Also included in Kit 244194

† Also included in Kit 246429

\* Também incluído no Kit 244194

† Também incluído no Kit 246429

\* Inclus aussi dans la trousse 244194

† Inclus aussi dans la trousse 246429

\* También incluida en Kit 244194

† También incluida en Kit 246429

## Technical Data

### /Dados Técnicos/Fiche technique/Datos técnicos

Maximum working pressure / Pressão máxima de trabalho de  
Pression maximale de service /

Presión máxima de operación .....  
3300 psi (228 bar, 23 MPa)  
3 300 lb/po<sup>2</sup> (228 bar, 23 MPa)

Fluid inlet size / Dimensões da entrada de líquido

Dia. de l'orifice d'entrée / Tamaño de la entrada de fluido .....  
1-1/4-12 unf(m)

Fluid outlet size / Dimensões da saída de líquido

Dia. de l'orifice de sortie / Tamaño de la salida de fluido ... 1/4 npt(f)

Wetted parts ..... stainless steel, PTFE, leather,  
nylon, zinc-plated carbon steel, tungsten carbide,  
chrome plating, UHMWPE, Acetal, polyethylene, nylon

Peças lubrificadas ..... aço inoxidável, PTFE, couro,  
nylon, aço carbono zincado, carboneto de  
tungstênio, cromagem, UHMWPE, Acetal, polietileno

Pièces en contact avec du liquide ..... acier inoxydable et en  
PTFE, cuir, nylon, acier carbone zingué,  
carbure de tungstène, plaquage au chrome,  
UHMWPE, Acetal, polyéthylène

Piezas húmedas ..... acero inoxidable, PTFE,  
cuero, nilón, acero al carbono enchapado en cinc,  
carburo de tungsteno, enchape en cromo,  
UHMWPE, Acetal, polietileno

